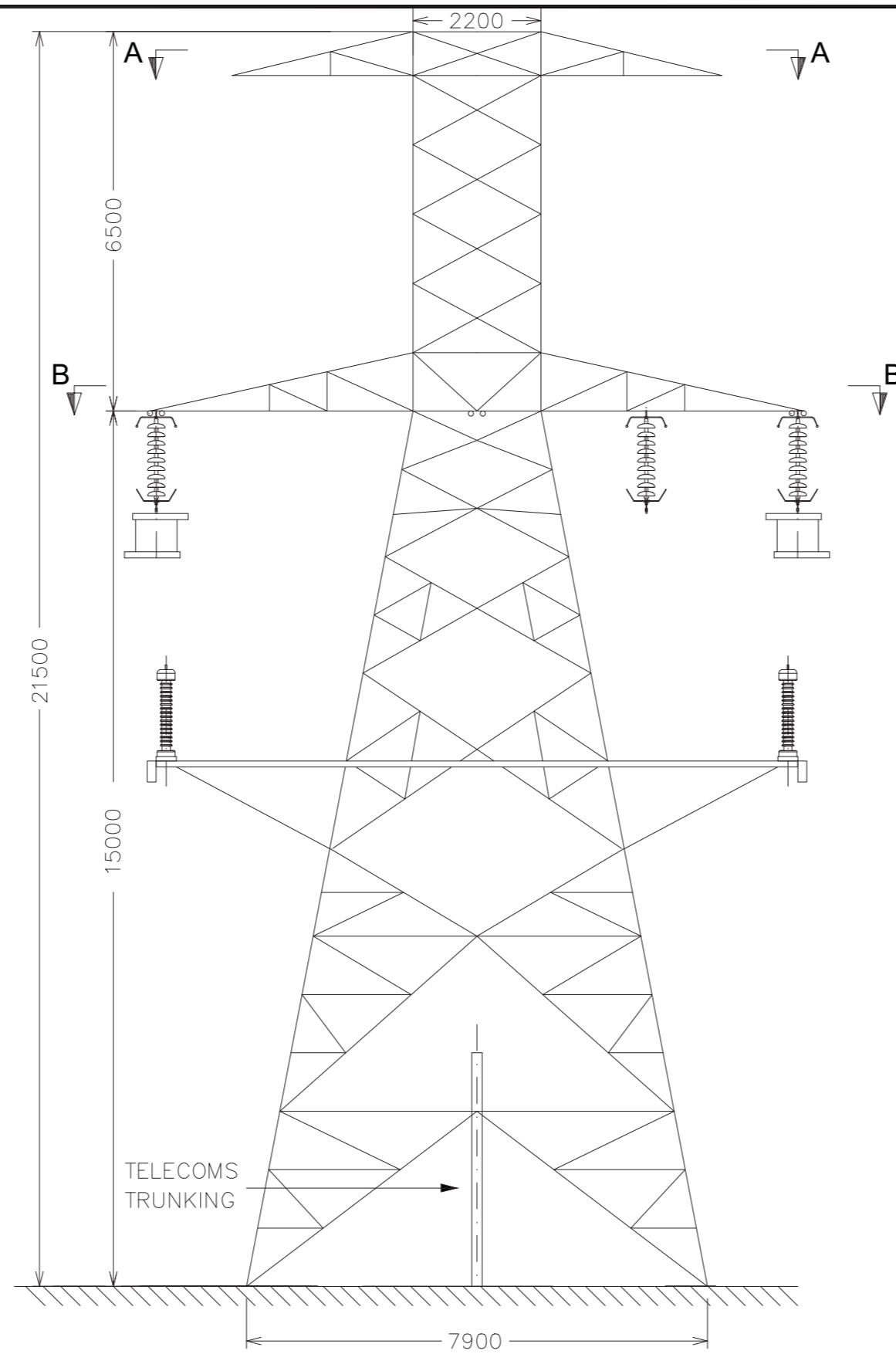
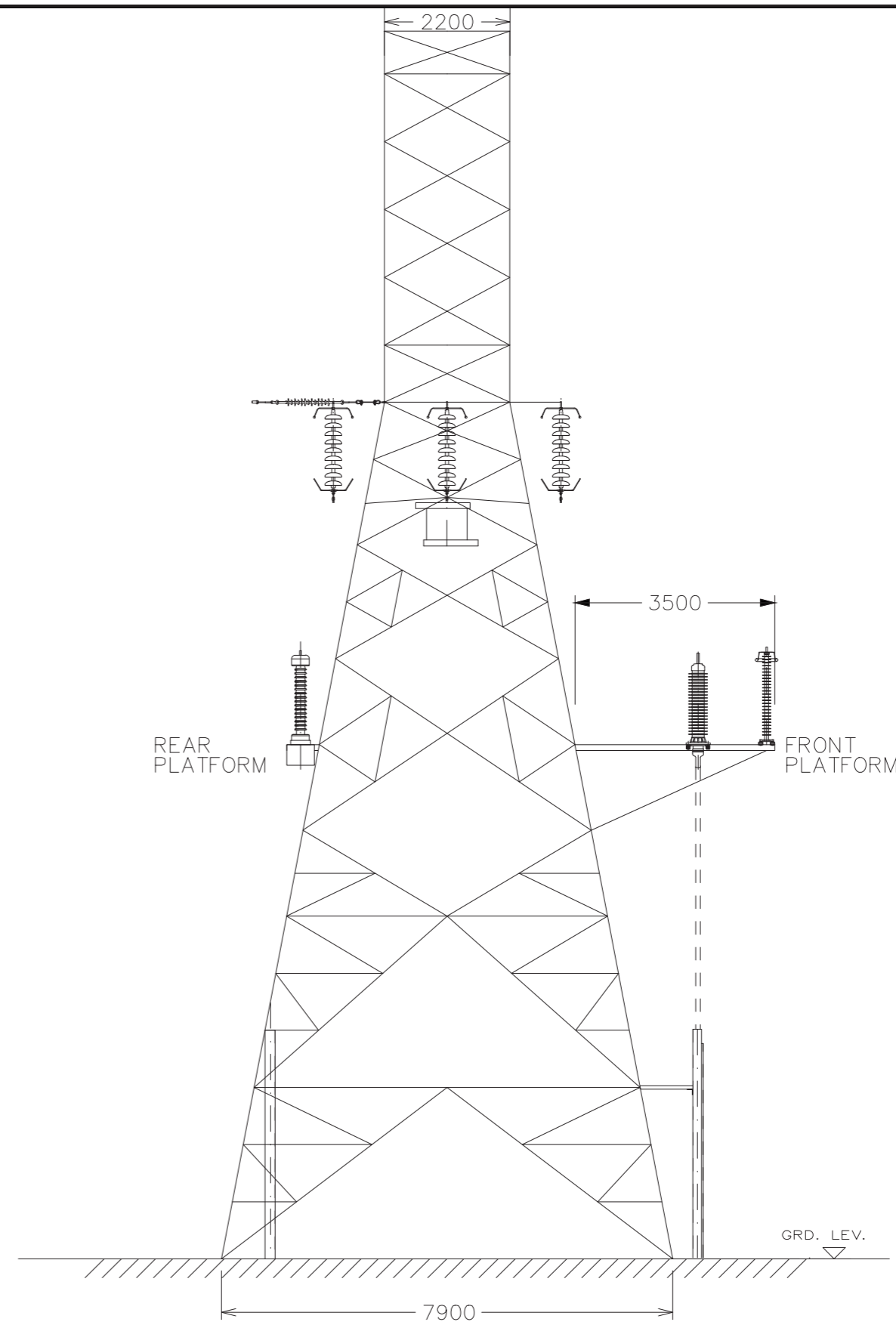


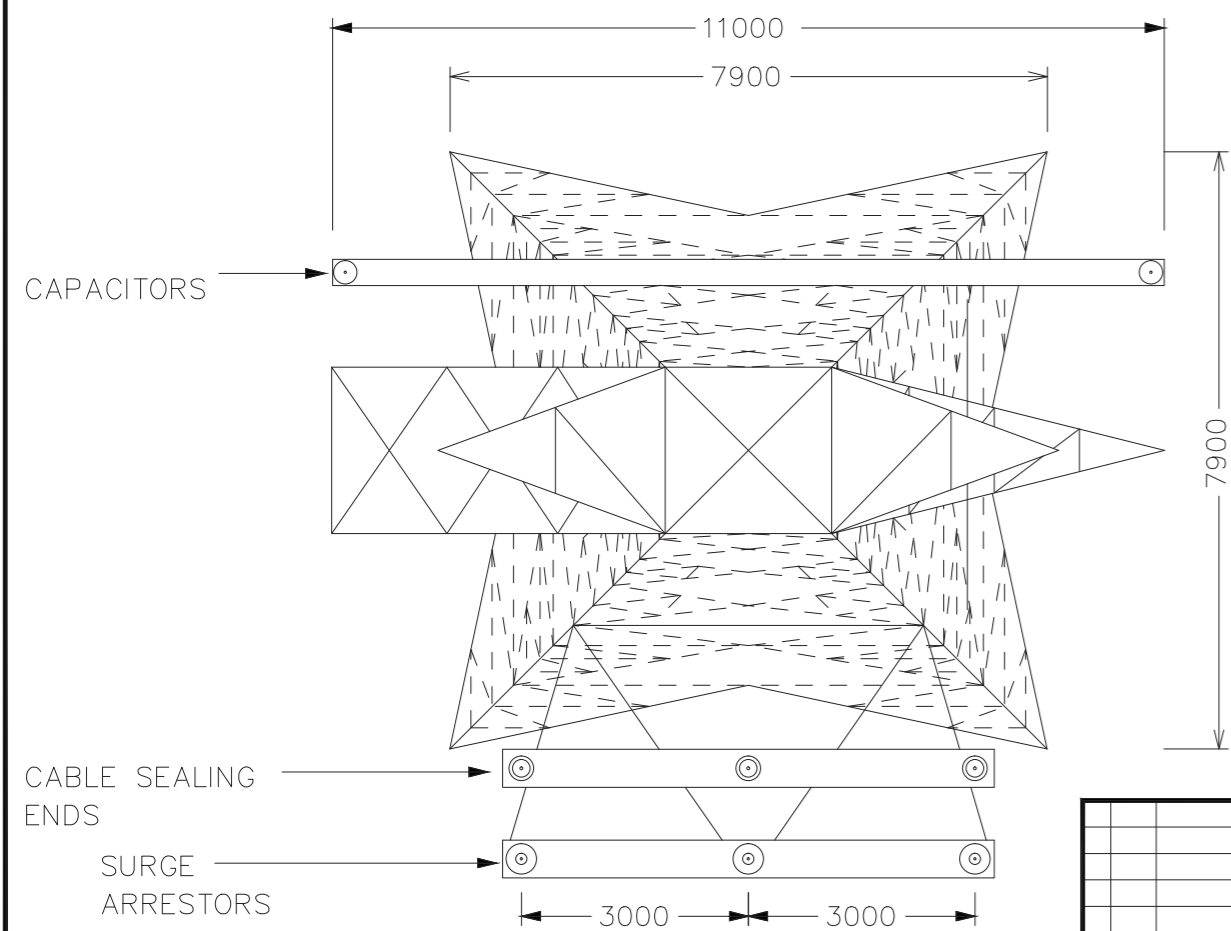
FRONT ELEVATION
(REAR PLATFORM REMOVED FOR CLARITY)



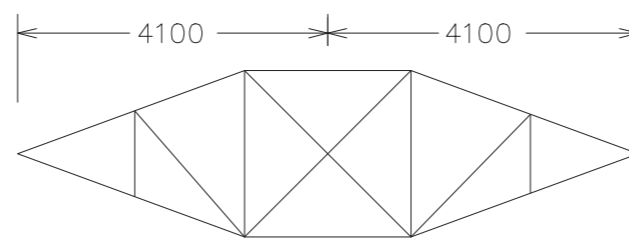
REAR ELEVATION
(FRONT PLATFORM REMOVED FOR CLARITY)



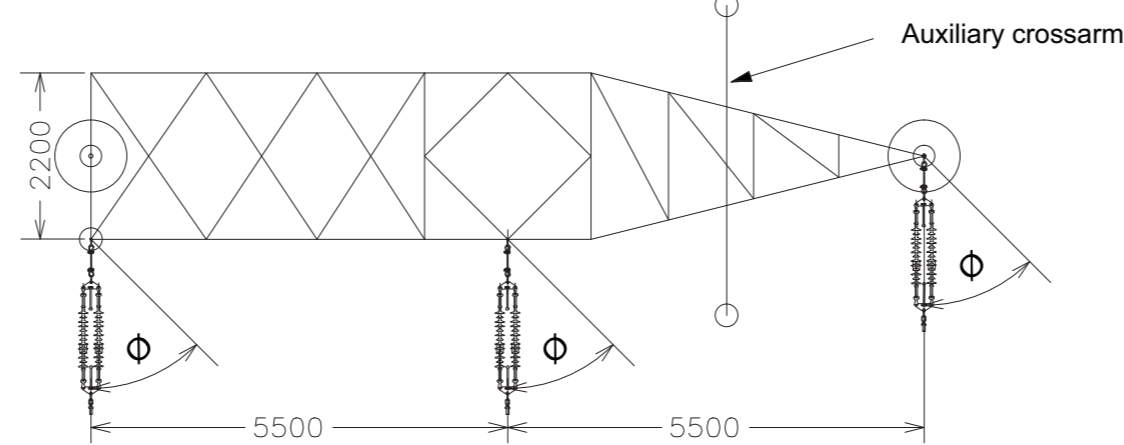
SIDE ELEVATION



PLAN VIEW
(INSULATORS REMOVED FOR CLARITY)
(TOWER BODY BRACING DOTTED FOR CLARITY)



PLAN VIEW A-A



PLAN VIEW B-B

NOTES:

1. THIS DRAWING IS INDICATIVE OF THE ASSEMBLY AND EARTHING OF ANCILLARY EQUIPMENT ON THE LINE/CABLE INTERFACE MAST.
2. EQUIPMENT AND EQUIPMENT LAYOUT MAY CHANGE DEPENDING ON TOWER AND EQUIPMENT SUPPLIERS.
3. LATTICE STEEL TOWER WILL HAVE INTERNAL BRACING WHICH WILL VARY DEPENDING ON SUPPLIER.
4. ALL DIMENSIONS IN MILLIMETRES UNLESS STATED OTHERWISE.

Rev.	Date	Revision description	Drn.	Ver.	App.
0	00.00.00	ISSUED FOR --	AB	AB	AB

Purpose of issue - Preliminary unless indicated
 Tender Client approval Construction As-built Revised

Oweninny Power Ltd

Oweninny Power Ltd, Stephen Court, 18-21 St. Stephen's Green, Dublin 2, Ireland Tel: +353 (0)1 7038000 Fax: +353 (0) 1 7038088 Email: oweninnypower@esbi.ie Web: www.oweninnywindfarm.ie Registered Office: as above Registered in Ireland No. 503730

Client	OWENINNY POWER LTD.
Project	WIND FARM PROJECT AT OWENINNY, BELLACORICK, CO. MAYO
Contract	

Drawing title	110kV LINES OUTLINE DRAWING FOR PLANNING APPLICATION SINGLE CIRCUIT L/C INTERFACE TOWER WITH SHIELDWIRE
Production unit	CIVIL, BUILDING & ENVIRONMENTAL GROUP

<small>COPYRIGHT © ESSI ENGINEERING & FACILITY MANAGEMENT LIMITED. All rights reserved. No part of this work may be modified or reproduced or copied in any form or by any means - graphic, electronic or mechanical, including photocopying, recording, taping or information-retrieval system, or used for any purpose other than its designated purpose, without the written permission of ESSI Engineering & Facility Management Ltd.</small>				
Drawn	Verified	Approved	Approved date	
E.LAWLOR	P.ENNIS	P.ENNIS	06/07/2011	
Client ref.	No. of sheets	Size	Rev	Scale
	1	A2	0	As Shown
Drawing number				
QR320201-P-000-081				