

**FRONT ELEVATION STANDARD HEIGHT TOWER A**

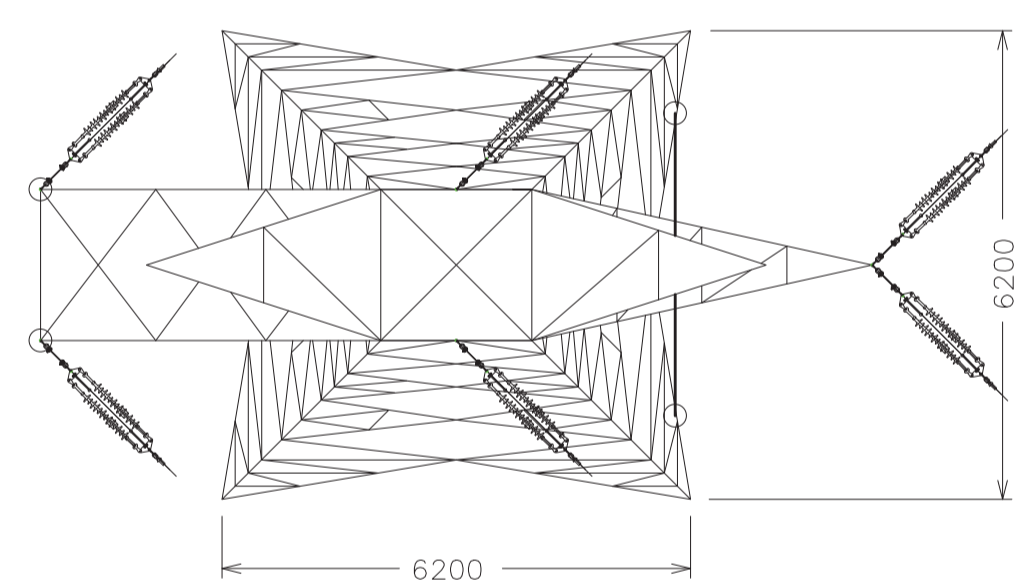
**FRONT ELEVATION -1m LEG TOWER B**

**FRONT ELEVATION +1m LEG TOWER C**

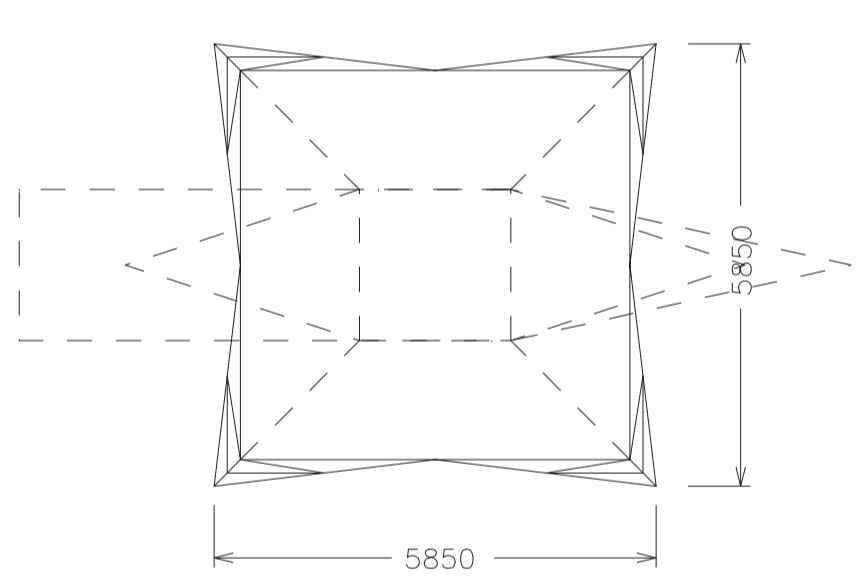
**FRONT ELEVATION +2m LEG TOWER D**

**FRONT ELEVATION +3m LEG TOWER E**

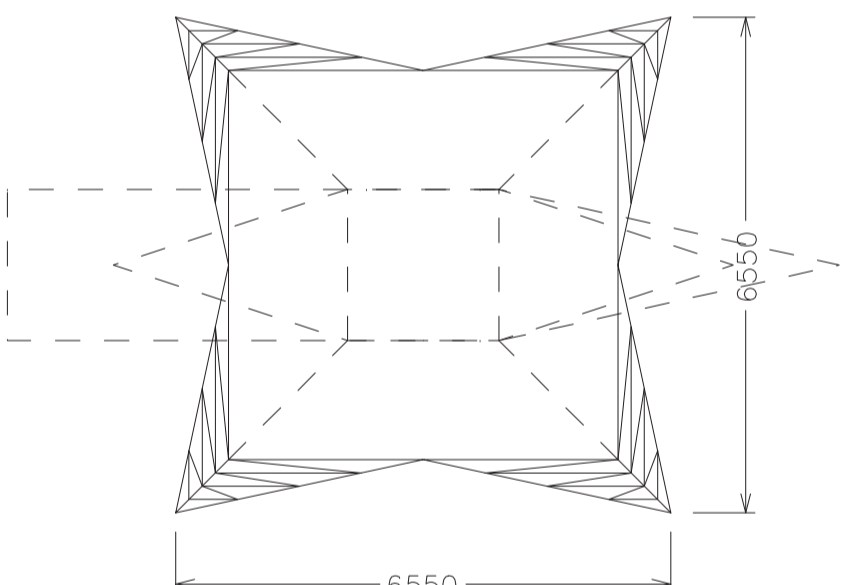
**SIDE ELEVATION STANDARD HEIGHT**



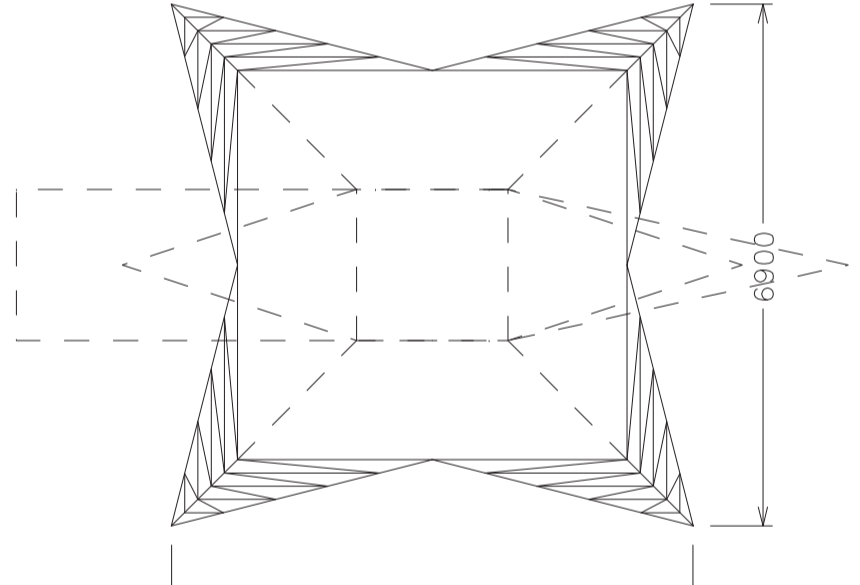
**PLAN VIEW STANDARD HEIGHT**



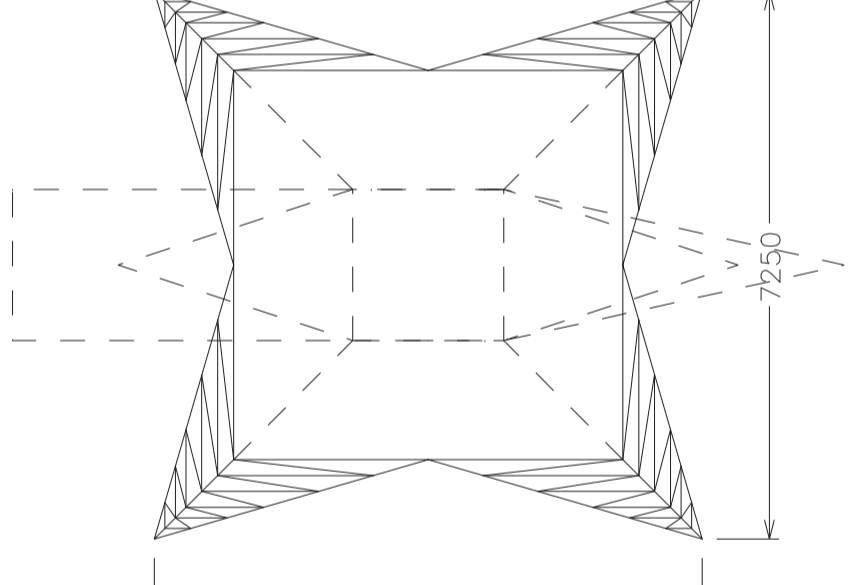
**PLAN VIEW -1m LEG**



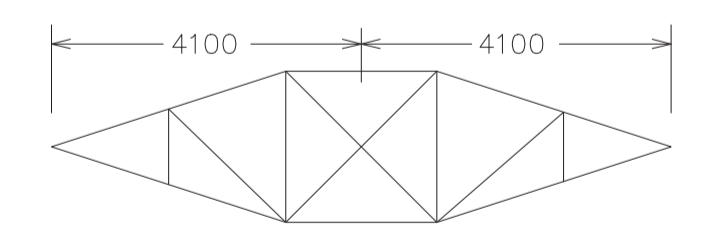
**PLAN VIEW +1m LEG**



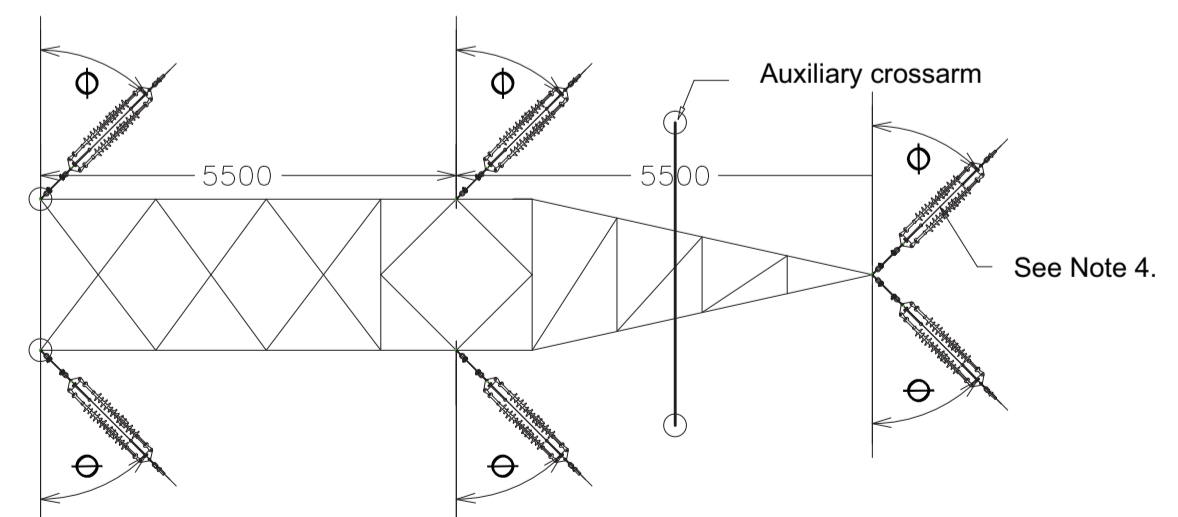
**PLAN VIEW +2m LEG**



**PLAN VIEW +3m LEG**



**PLAN VIEW A-A**



**PLAN VIEW B-B**

**NOTES:**

- STANDARD TOWER HEIGHT MAY BE VARIED USING LEG EXTENSIONS AS INDICATED.
- PLAN A-A & B-B ARE COMMON TO ALL TOWER HEIGHTS.
- INTERNAL BRACING MAY CHANGE DEPENDING ON TOWER SUPPLIER.
- ORIENTATION OF INSULATOR  $\phi$  IN PLAN WILL VARY FROM 0° - 45° FOR EACH TOWER LOCATION
- ALL DIMENSIONS IN MILLIMETRES UNLESS STATED OTHERWISE.
- ACTUAL DIMENSIONS MAY BE LESS THAN SHOWN ON DRAWING, DEPENDING ON TOWER SUPPLIER.

0 06.7.11		Drawing Approved		A.K	P.E	P.E	
REV.	DATE	REVISION DESCRIPTION			DRN	VER	APP
PURPOSE OF ISSUE - PRELIMINARY UNLESS INDICATED							
TENDER	<input type="checkbox"/>	CLIENT APPROVAL	<input type="checkbox"/>	CONSTRUCTION	<input type="checkbox"/>	AS-BUILT	<input type="checkbox"/>
Client	OWENINNY POWER LTD.						
Project	WIND FARM PROJECT AT OWENINNY, BELLACORICK, Co. MAYO						
Contract							
Drawing Title	110kV LINE - OUTLINE DRAWING FOR PLANNING RL 1 & 3 SINGLE CIRCUIT STRAIN TOWERS WITH SHIELDWIRE FOR ALL CHANGES IN-LINE DIRECTION UP TO 90° T12 - MAX HEIGHT 21.5m						
Production Unit	HIGH VOLTAGE ENGINEERING						
<p><b>Oweninny Power Ltd</b></p> <p>Oweninny Power Ltd, Stephen Court, 18-21 St. Stephen's Green, Dublin 2, Ireland Tel: +353 (0)1 7038000 Fax: +353 (0) 1 7038088 Email: oweninnypower@esbi.ie Web: www.oweninnywindfarm.ie Registered Office: as above Registered in Ireland No. 503730</p>							
DRAWN	VERIFIED	APPROVED	APPRO DATE				
A.KING	D.TUOHY	P.ENNIS	05.03.2012				
CLIENT REF	No. of Shts	SIZE	REV	SCALE			
	1	A1	0	1:100			
DRAWING NUMBER							
QR320201-P-000-079							

COPYRIGHT © ESSI ENGINEERING & FACILITY MANAGEMENT LIMITED. All rights reserved. No part of this work may be modified or reproduced or copied in any form or by any means - graphic, electronic or mechanical, including photocopying, recording, taping or information and retrieval system, or used for any purpose other than its designated purpose, without the written permission of ESSI Engineering & Facility Management Ltd.