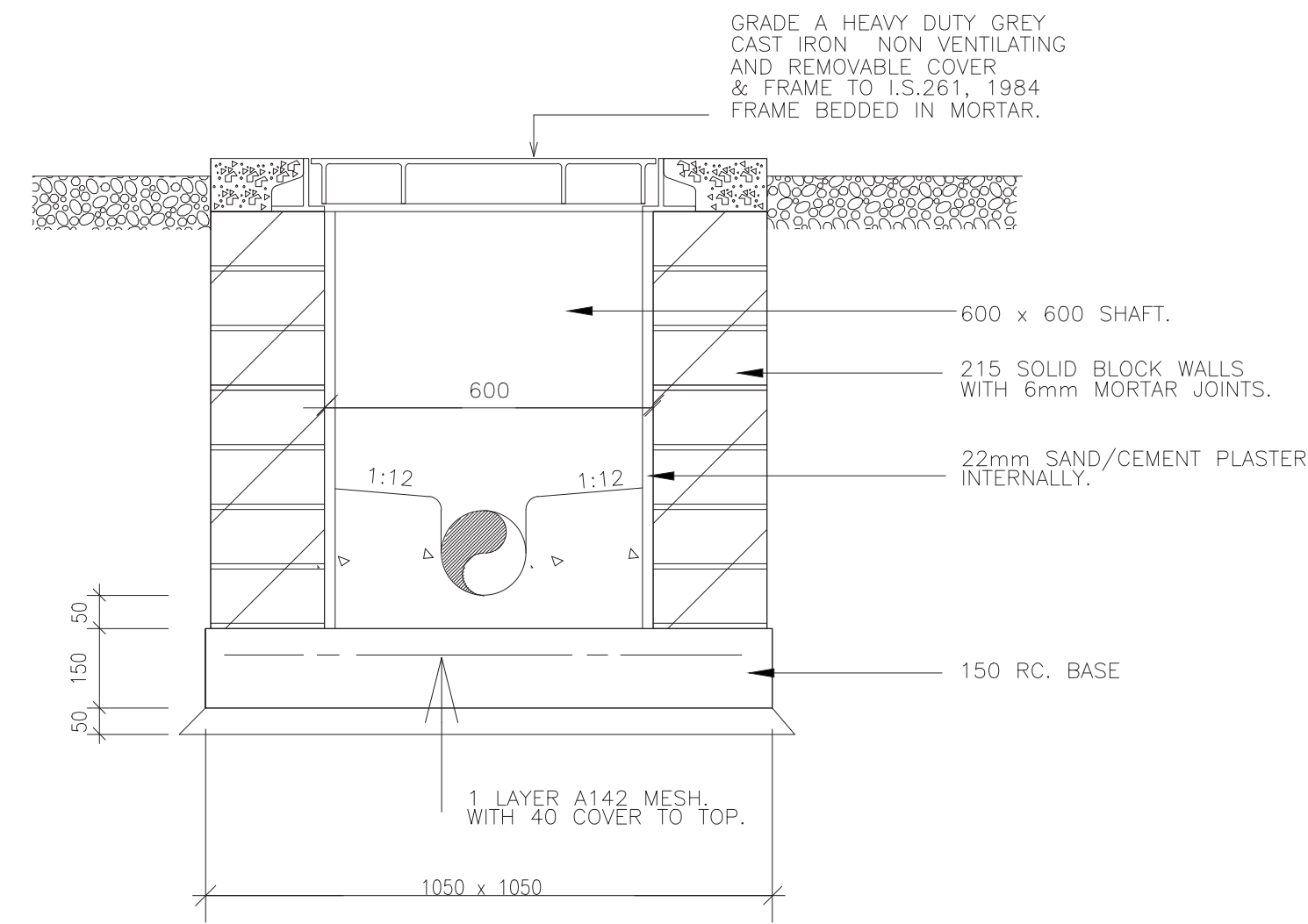
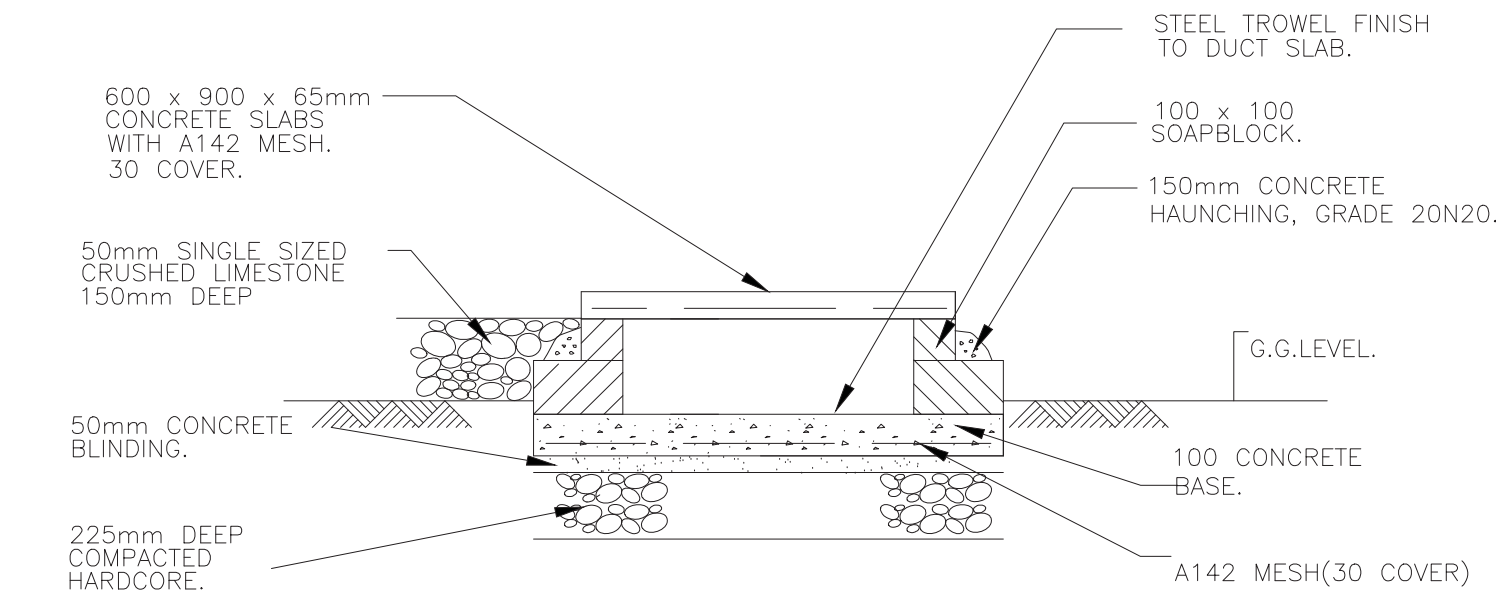


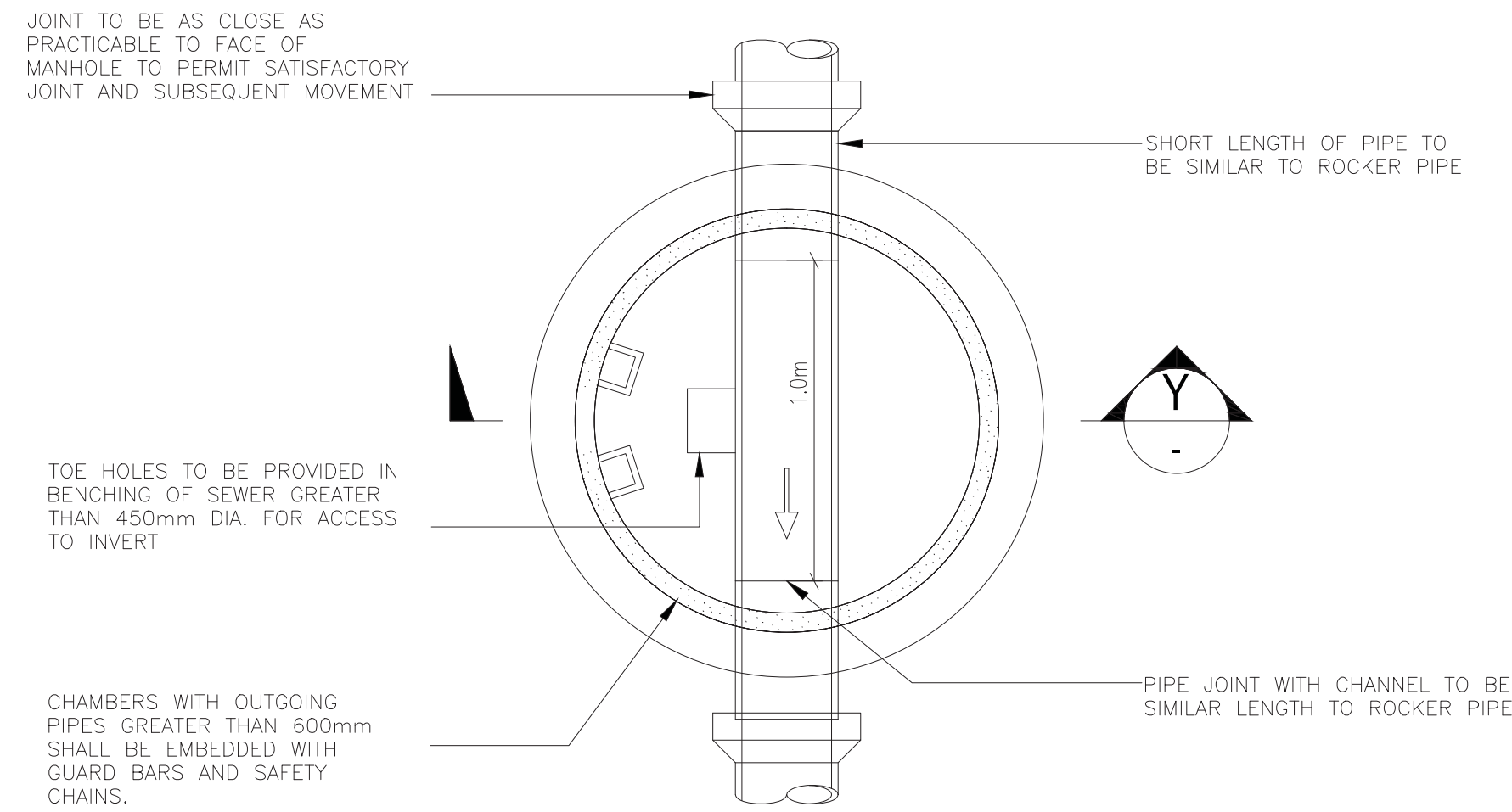
TYPICAL SECTION FOR PIPED DRAIN CROSSING



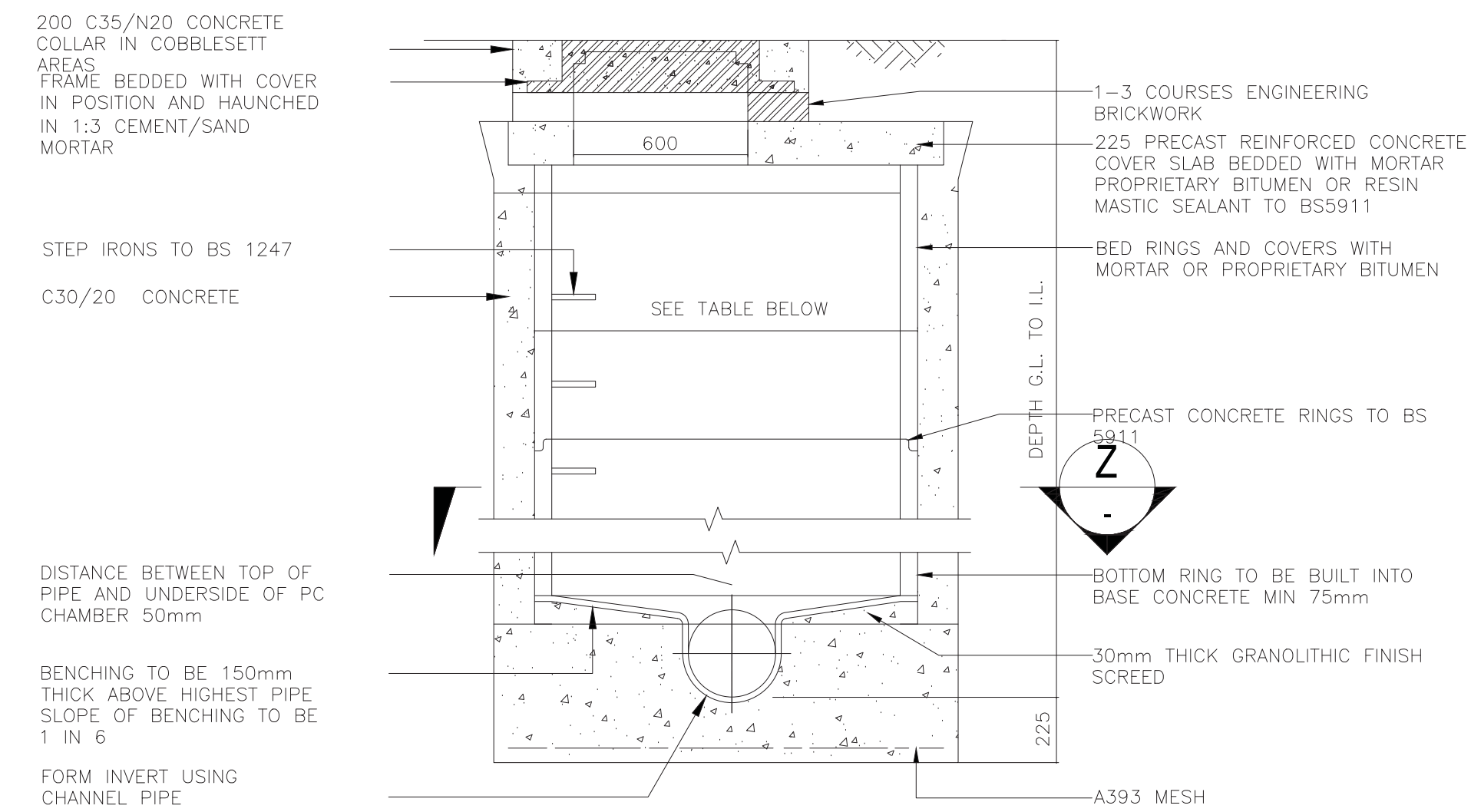
**MANHOLE DETAIL
DEPTH LESS THAN 1m TO INVERT OF PIPE**



TYPICAL CROSS SECTION OF CABLE DUCT.

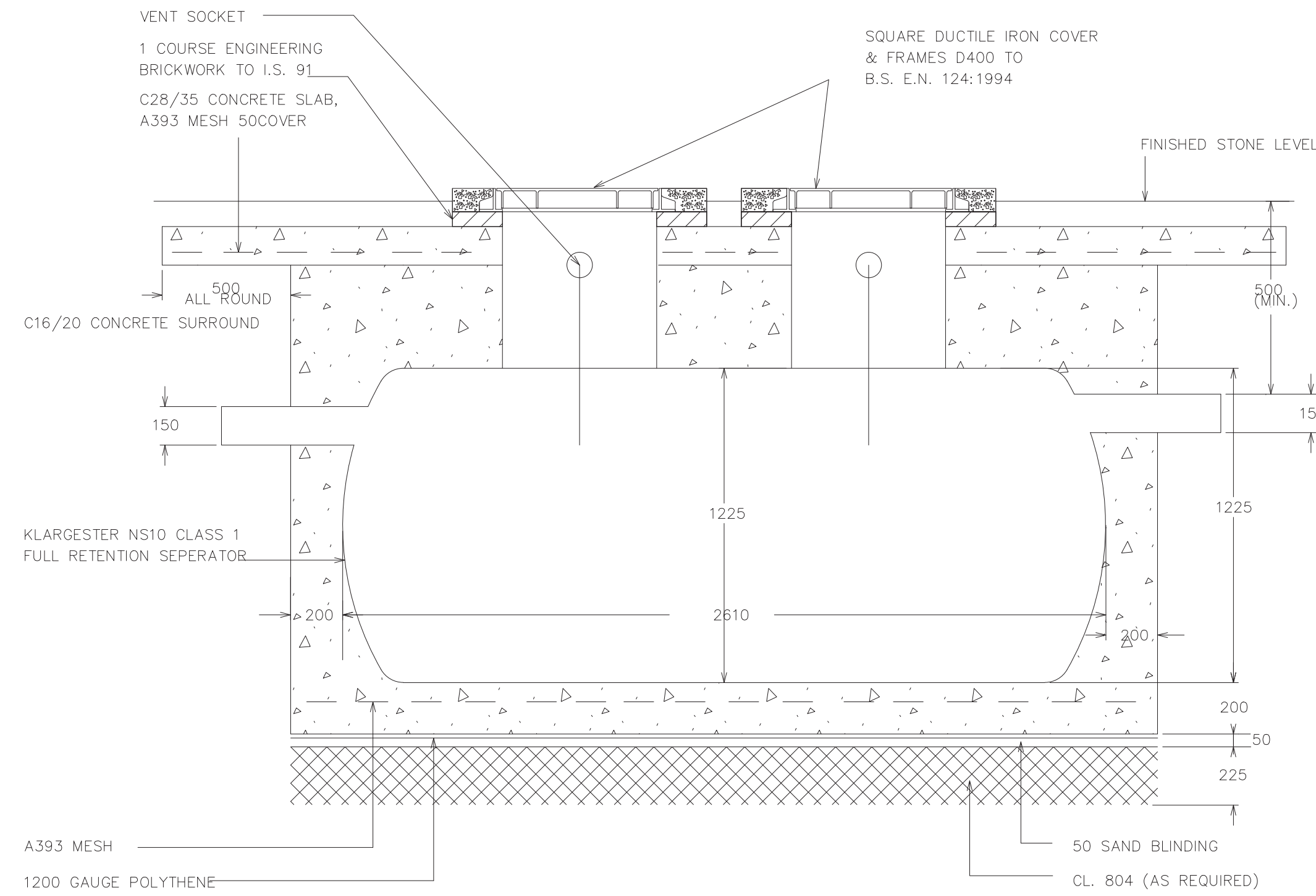


**SECTIONAL PLAN Z
SCALE 1:25**



**SECTIONAL ELEVATION Y
TYPICAL PRECAST RING MANHOLE, DEPTH TO SOFFIT 0-3m**

SCALE 1:25



SECTION THROUGH CLASS 1 SEPARATOR

0	25.03.13	ISSUED FOR PLANNING	PM	MB	JC
REV.	DATE	REVISION DESCRIPTION	DRN	VER	APP
PURPOSE OF ISSUE - PRELIMINARY UNLESS INDICATED					
TENDER	<input type="checkbox"/>	CLIENT APPROVAL	<input checked="" type="checkbox"/>	CONSTRUCTION	<input type="checkbox"/>
		AS-BUILT	<input type="checkbox"/>	REVISED	<input type="checkbox"/>
Client OWENINNY POWER LTD.					
Project WIND FARM PROJECT AT OWENINNY, BELLACORICK, CO. MAYO					
Contract					
Drawing Title OWENINNY WINDFARM SEPARATOR, PIPE CROSSING AND MANHOLE DETAILS					
Production Unit CIVIL, BUILDING & ENVIRONMENTAL GROUP					
<p>Oweninny Power Ltd</p> <p>Oweninny Power Ltd, Stephen Court, 18-21 St. Stephen's Green, Dublin 2, Ireland Tel: +353 (0)1 7038000 Fax: +353 (0) 1 7038088 Email: oweninnypower@esbi.ie Web: www.oweninnywindfarm.ie Registered Office: as above Registered in Ireland No. 503730</p>					

DRAWN	VERIFIED	APPROVED	APPRO DATE
PM	MB	JC	25.03.13
CLIENT REF	No. of SHEETS	SIZE	REV
	1	A1	0
SCALE As Shown			

DRAWING NUMBER QR320201-P-000-054
