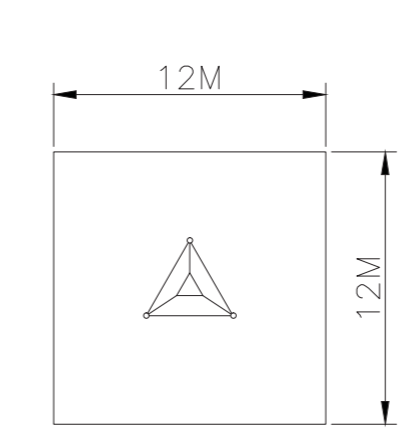



Typical Anemometer Support Boom



Plan View

REV.	DATE	REVISION DESCRIPTION	DRN	VER	APP
PURPOSE OF ISSUE - PRELIMINARY UNLESS INDICATED					
TENDER	<input type="checkbox"/>	CLIENT APPROVAL	<input type="checkbox"/>	CONSTRUCTION	<input type="checkbox"/>
		AS-BUILT	<input type="checkbox"/>	REVISED	<input type="checkbox"/>
Client <b>OWENINNY POWER LTD.</b>					
Project <b>WIND FARM PROJECT AT OWENINNY, BELLACORICK, CO. MAYO</b>					
Contract					
Drawing Title <b>TYPICAL ANEMOMETER MAST DETAILS</b>					
Production Unit Civil, Building & Environmental Group					
<b>Oweninny Power Ltd</b> 					
Oweninny Power Ltd, Stephen Court, 18-21 St. Stephen's Green, Dublin 2, Ireland Tel: +353 (01) 7038000 Fax: +353 (0) 1 7038088 Email: oweninnypower@esbi.ie Web: www.oweninnywindfarm.ie Registered Office: as above Registered in Ireland No. 503730					
DRAWN	CF	VERIFIED	PK	APPROVED	JC
CLIENT REF		No. of Bids	1	SCALE	1:250
DRAWING NUMBER <b>QR320201-P-000-052</b>					

COPYRIGHT © ESBI ENGINEERING & FACILITY MANAGEMENT LIMITED.  
 All rights reserved. No part of this work may be modified or reproduced or copied in any form or by any means - graphic, electronic or mechanical, including photocopying, recording, taping or information-and-retrieval system, or used for any purpose other than its designated purpose, without the written permission of ESBI Engineering & Facility Management Ltd.

While every effort has been made to ensure the accuracy of the information contained in the drawings, Oweninny Power Limited cannot be held responsible for errors or omissions.